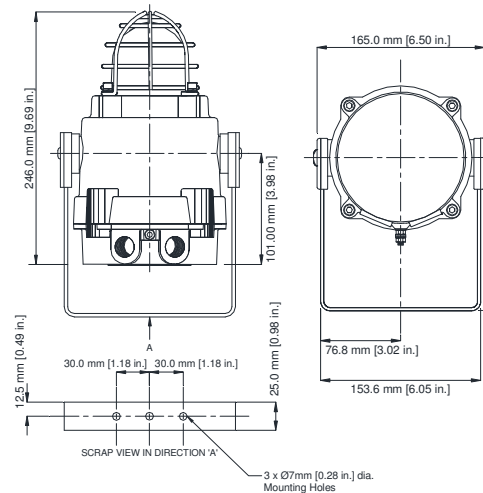




EX Xenon Blitzleuchte / EX Xenon Beacon 21 Joule

BExBG21



Materialien	Aluminium, pulverbeschichtet, Rot (RAL 3000)	Materials	Aluminium with powder finish, Red (RAL 3000)
Montage	Befestigung mit 3 Schrauben	Mounting	3 screws
Kabeleinführung	1 Kabelverschraubungen M20 1 Blindstutzen M20	Cable entry	1 cable gland M20 1 blind plug M20
Schutzart	IP66 Ex Zone 1, 2, 21, 22 Exd IIC T4 Ta. -50°C to +55°C	Protection class	IP66 Ex Zone 1, 2, 21, 22 Exd IIC T4 Ta. -50°C to +55°C
Leistung, Blitzrate	21 Joule (21 Ws) 1 Hz (50 fpm)	Energy, Flash rate	21 Joule (21 Ws) 1 Hz (50 fpm)
Gewicht	DC: 2,65 KG/ AC: 2,95 KG	Weight	DC: 2,65 KG/ AC: 2,95 KG
Haubenfarben	Orange(AM), Rot(RD), Blau (BL), Klar (CL)	Volume	Orange(AM), Rot(RD), Blue (BL), Klar (CL)
Spannung/Stromaufnahme	24V DC-1,2A / 115V AC-560mA / 230V AC-280mA	Voltage/Currant consumption	24V DC-1,2A / 115V AC-560mA / 230V AC-280mA
Type	Merkmale	Features	Best. Nr. / Order No.
BExBG21D 24DC- Color	24V DC	24V DC	On request
BExBG21D 115AC- Color	115V AC	115V AC	On request
BExBG21D 230AC- Color	230V AC Rot 230V AC Orange	230V AC Red 230V AC Amber	010-139 010-140