

Designation:  Symbol:

Supplier:  Supplier ArtNo.:  Rev:

Manufacturer:  Manufacturer ArtNo.:

**Electrical data**

Voltage [V]:  Current [A]:  Frequency [Hz]:

Ambient Temp [°C]:  Battery backup:  Total consumption [W]:

**Luminaire description**

Type:  Light source:  Consumption [W]:

Technology CC:  CV:  Trafo incl.:  Illuminant incl.:  Dimmable:  No of illuminants:

CRI Index:  Beam angle [°]:  Colour temp [K]:  Lum flux [lm]:

**Mechanical description**

Housing:  Color:  Prot. class:  Fire class:

Reflector:  Diffuser:  Cover ring:  Weight [kg]:

Surface height [mm]:  Dimens. [mm] L:  W:  H:  Ø:  Cut out [mm]:

Rec. mnt. height [mm]:  LED stripe cutting space [mm]:  Delivery length [m]:

LED spacing [mm]:  Lum. flux per metre [lm/m]:  Bend. radius [mm]:

Mounting:

Equipment:

**Power supply / Dimmer**

Designation:

Prot. class:  Dimension [mm] L:  W:  H:  Ø:  Weight [kg]:


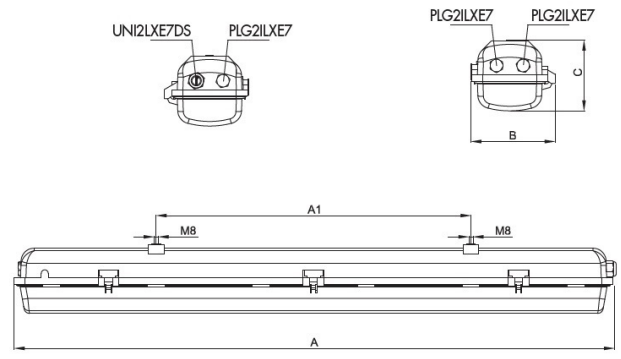
Designation:

Prot. class:  Dimension [mm] L:  W:  H:  Ø:  Weight [kg]:

Remarks:

Remarks:

- LIGHT.FIXT. EX II 2GD EX DE MB IIC
- Ex II 2GD Ex de mb IIC T4 Gb Ex tb IIIC T70 / 80 ° C Db IP66
- GRP wall light normal + emergency lighting for 2x18W, 110 / 240Vac / dc 50 / 60Hz
- with electronic ballast
- Battery 7Ah, burning time 200 min

Code	Dimensions mm			
	A	A1	B	C
EXEL-218EF7	785	420	185	155