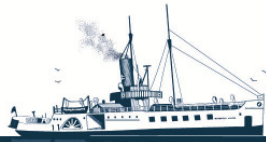


Control Panel

Gehäuse	Material: Chromatiertes seewasserfestes Aluminium. Lackierung: UV beständige Pulverbeschichtung Frontglas: Gehärtetes Glas Dichtung: Silikon/Neopren schwarz Kabelverschraubung: M25 Betriebstemperatur: -25°C/+ 40°C	Housing	Material: Chromated seawater resistant aluminium. Finish: UV resistant powder coating RAL 9016 Front glass: Hardened glass Seals: Silicone/Neoprene black Cable gland: M25 Operating temp.: -25°C/+ 40°C
Abmessungen	Höhe: 780mm Breite: 360mm Gewicht: 30 KG	Dimension	Height: 780mm Wight: 360mm Weight: 30 KG
Elektrische Daten	Spannung:230V AC Spannung Motor: 24V DC Kabel: H07RN-F Durchmesser: 6-12mm	Electrical	Lamp voltage:230V AC Motor Voltage: 24V DC Preferred cable type: H07RN-F Cable diameter: 6-12mm
Spiegel	Parabolspiegel 300mm	Optics	Parabolic mirror reflector 300mm
Heizung	PTC-Heizung, 24V DC 70W	Heater	PTC-heater, 24V DC 70W
Schutzart	IP66 mit Membranventil	Protection class	IP66 c/w Membrane vent
Motor Unit	Hoch/Runter: +20° / -25° Drehbereich: 340° Max geschw. links/rechts: 16/32°/sec Max geschw. hoch/runter 1,6/3,2°/sec	Motor unit	Tilt: +20° / -25° PAN: 340° Max speed left/right: 16/32°/sec Max speed up/down 1,6/3,2°/sec

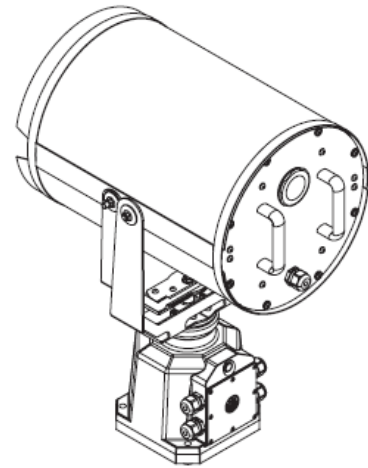
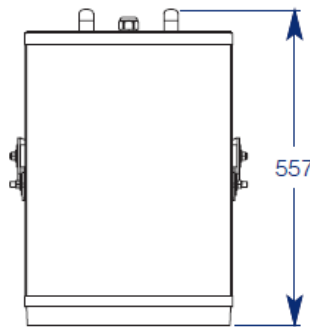


LED Suchscheinwerfer / LED Searchlight

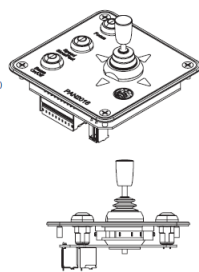
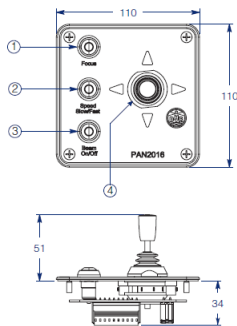
DHR 300RCB LED

Type	Part No:	Voltage (Volt)	Power (Watt)	Socket	Focus Beam angle at 50%	Range 1 lux (m)	Covered area d=m	Luminous intensity cd	Bulb model
350RCB220	011-682	230V	240	N/A	4 °- 20°	1732m		3.000.000cd	Osram 6200K
PAN2016	011-598	24V DC	20	Control Panel					

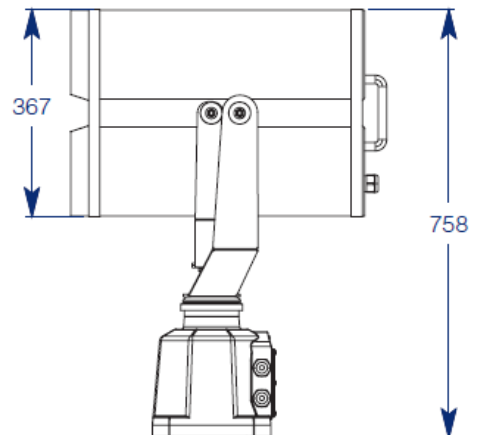
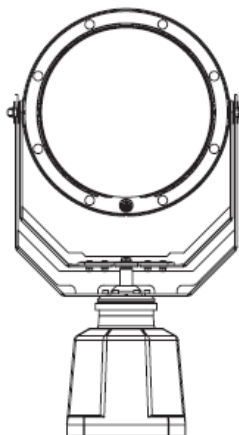
Dimension drawings



Control Panel



All dimensions are in mm



All dimensions are in mm.